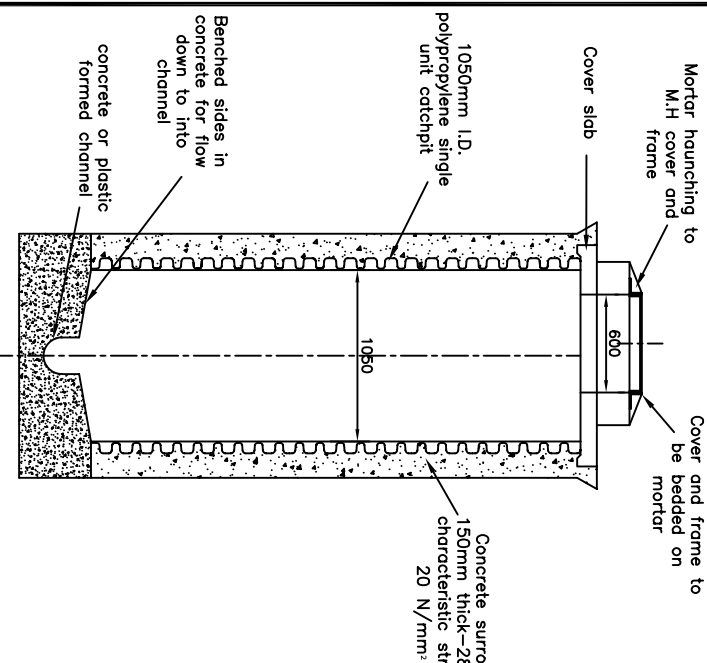
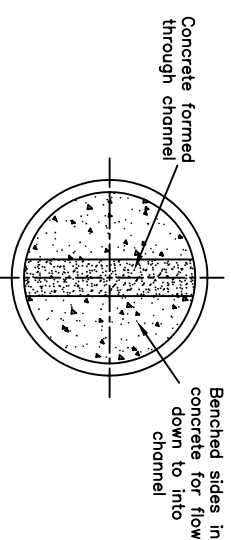
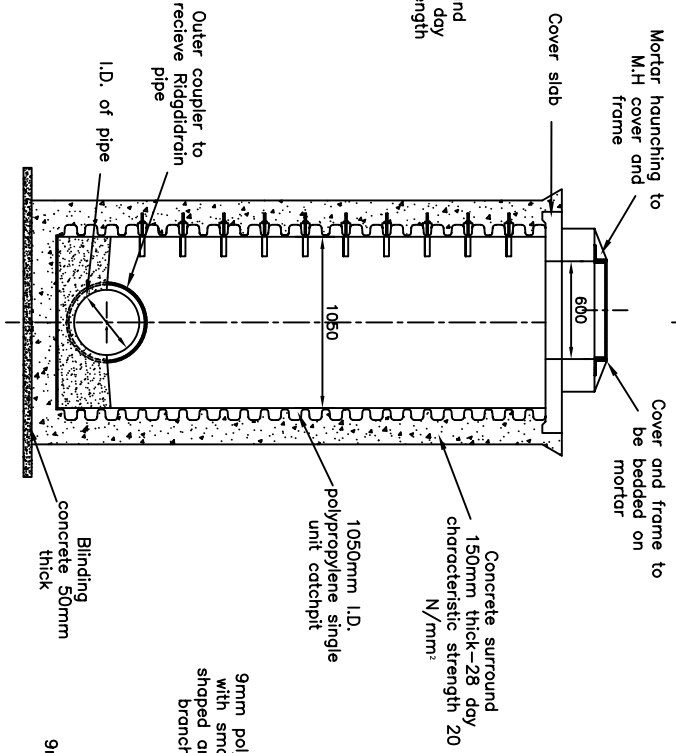
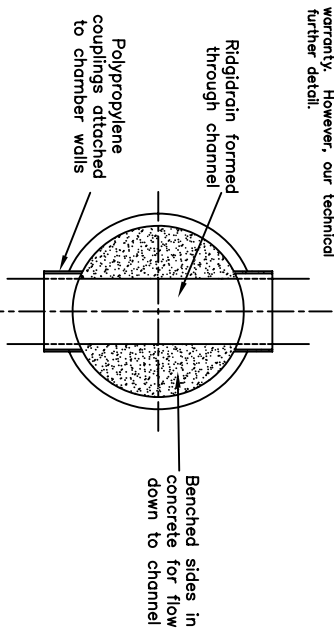


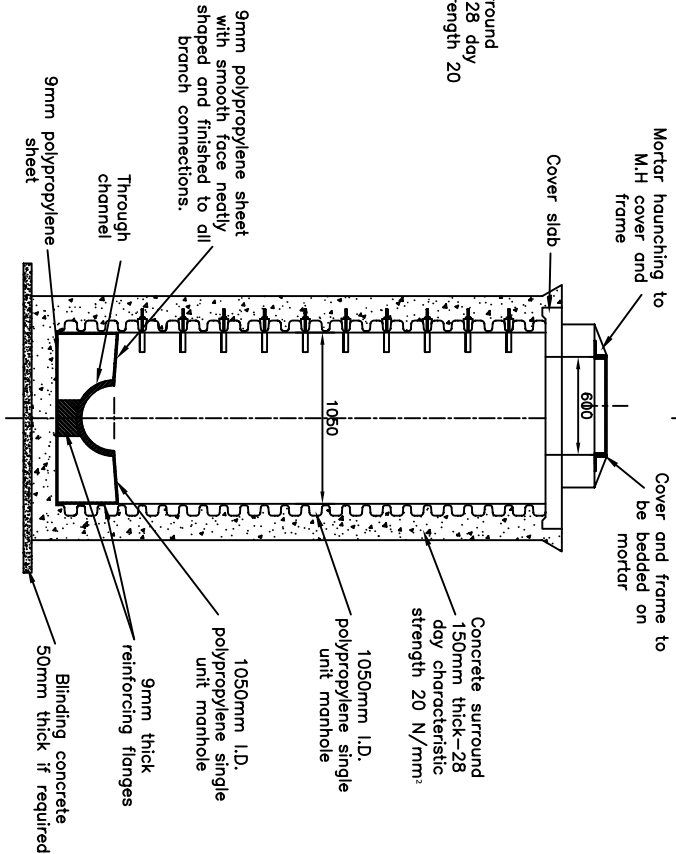
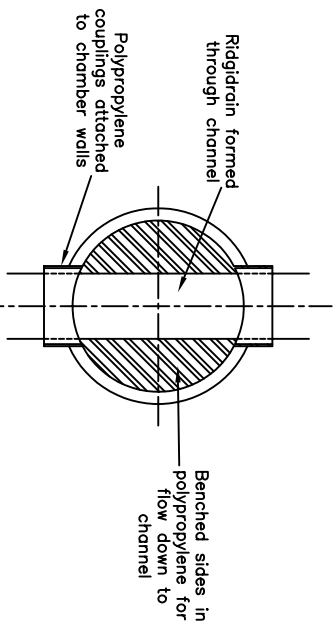
This information is for guidance purposes only. Please note that we may change the information from time to time, for a variety of reasons. This information cannot be relied upon to determine the suitability or installation requirements of our products for your particular site conditions or application: expert advice is required in this respect. Final determination of the suitability of any information or material for your intended use and manner of use is your sole responsibility and you must assume all risk and liability in this regard. This information is not intended to have any legal effect, whether by way of advice, representation or warranty. However, our technical staff will be happy to discuss your particular application and site conditions in further detail.



POLYPIPE RIDGDRAIN CHAMBER TYPE (1)



POLYPIPE RIDGDRAIN CHAMBER TYPE (2)



POLYPIPE RIDGDRAIN CHAMBER TYPE (3)

- NOTES:
- 1.- All dimensions are nominal and in millimetres.
 - 2.- We reserve the right to change product specifications without prior notice.
 - 3.- This document is uncontrolled and updates will not be issued automatically.



Polypipe Civils Ltd.
 Civils & Agricultural Products
 UNION WORKS, BISHOP MEADOW ROAD,
 LOUGHBROUGH, LEICESTERSHIRE, LE11 5PE,
 TEL: 01509 615100 FAX: 01509 615205

DRAWING STATUS:	FOR INFORMATION
DRAWING TITLE	EXAMPLES OF POLYPIPE CHAMBER TYPES

PROJECT REF:	16017D1-REV-B
--------------	---------------

SCALE	NOT TO SCALE
CAD File:	POLYPIPE DRAWING No. TD/16017/D1/B
REV	B

CHANGES	Text added	DATE	27/06/01
DRAWN BY	KNM	DATE	29/04/02
CHECKED			

DIMENSIONS IN MILLIMETRES UNLESS OTHERWISE STATED