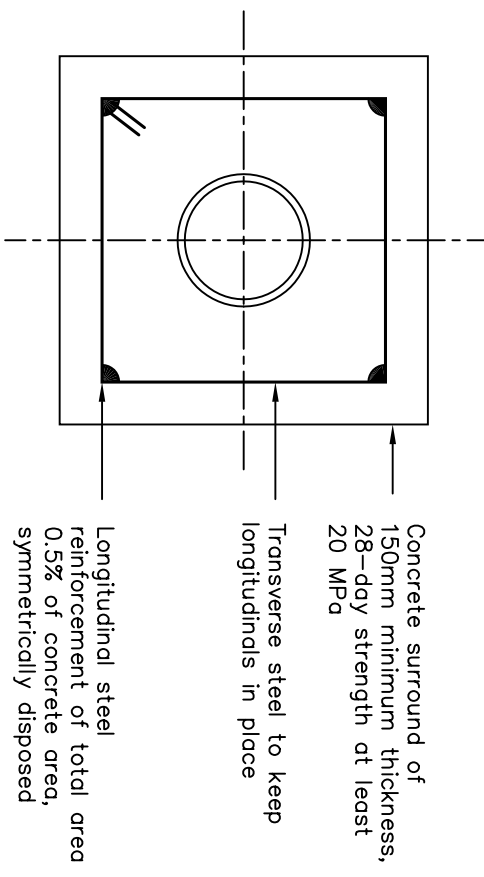


DETAILS OF CONCRETE SURROUND

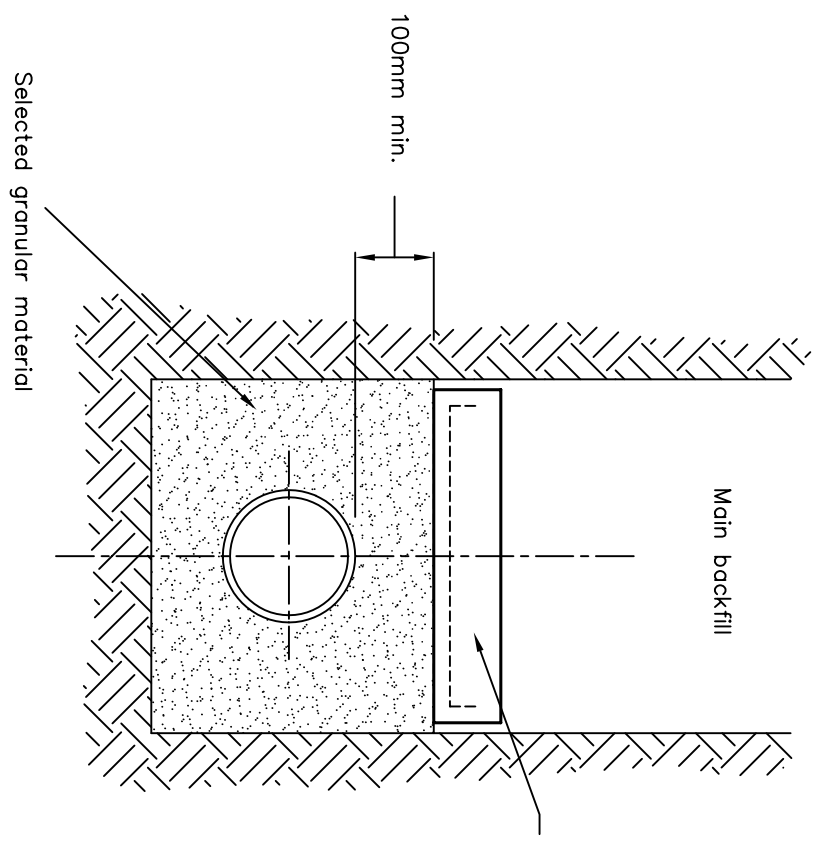


- NOTES**
- 1.— All dimensions are nominal and in millimetres
 - 2.— All details should be read in conjunction with BBA Certificate No 89/2175 and BS 5955:Part 6:1980
 - 3.— This document is uncontrolled and updates will not be issued automatically

This information is for guidance purposes only. Please note that we may change the information from time to time, for a variety of reasons. This information cannot be relied upon to determine the suitability or installation requirements of our products for your particular site conditions or application: expert advice is required in this respect. Final determination of the suitability of any information or material for your intended use and manner of use is your sole responsibility and you must assume all risk and liability in this regard. This information is not intended to have any legal effect, whether by way of advice, representation or warranty. However, our technical staff will be happy to discuss your particular application and site conditions in further detail.

ALTERNATIVE TO A CONCRETE SURROUND

(Preferred Installation Method)



This detail is preferable to a concrete bed and surround because the flexibility of the pipe system is maintained.

Reinforced concrete slab (may be precast) extending to trench wall and sufficiently strong to span across



Polypipe Civils Ltd.
Civils & Agricultural Products
 UNION WORKS, BISHOP MEADOW ROAD,
 LOUGHBROUGH, LEICESTERSHIRE, LE11 5PE,
 TEL: 01509 615100 FAX: 01509 615205

DRAWING STATUS:	FOR INFORMATION
DRAWING TITLE	CONCRETE PROTECTION DETAILS FOR DUCT LAID AT SHALLOW DEPTHS (NON HIGHWAY AGENCY APPLICATIONS)

PROJECT REF:	SCALE
CAD File: 16121D1_REVA.DWG	NOT TO SCALE
POLYPIPE DRAWING No. TD/16121/D1	REV
	A

DRAWN BY	IDA	16/05/02
CHECKED		
DIMENSIONS IN MILLIMETRES UNLESS OTHERWISE STATED		

Text Added	26/06/02
CHANGES	DATE