

TYPE A
SHALLOW DUCTS (750 to 1200 cover)

This information is for guidance purposes only. Please note that we may change the information from time to time, for a variety of reasons. This information cannot be relied upon to determine the suitability or installation requirements of our products for your particular site conditions or applications: expert advice is required in this respect. Final determination of the suitability of any information or material for your intended use and manner of use is your sole responsibility and you must assume all risk and liability in this regard. This information is not intended to have any legal effect, whether by way of advice, representation or warranty. However, our technical staff will be happy to discuss your particular application and site conditions in further detail.



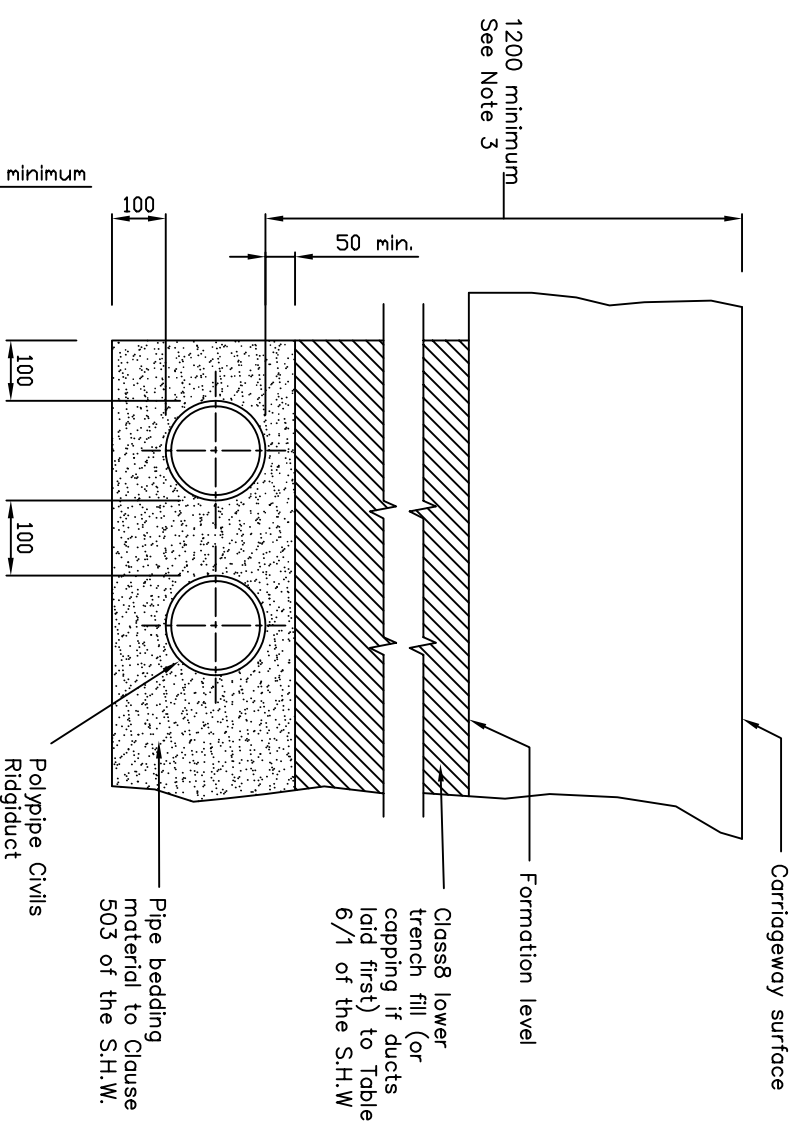
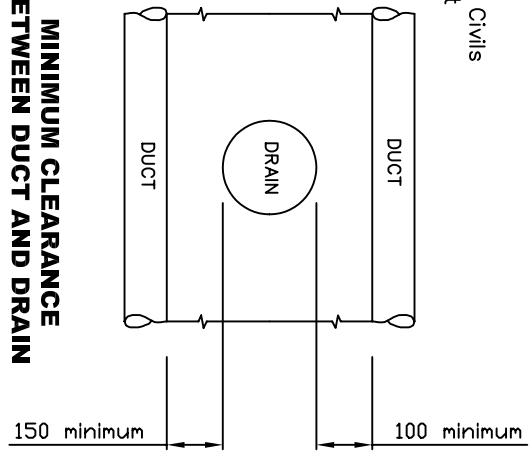
Polypipe Civils Ltd.
Civils & Agricultural Products
UNION WORKS, BISHOP MEADOW ROAD,
LOUGHBOROUGH, LEICESTERSHIRE, LE11 3PE,
TEL: 01509 615100 FAX: 01509 615205

DRAWING STATUS:	FOR INFORMATION
DRAWING TITLE	DUCT TRENCH CROSS SECTIONS (HIGHWAY AGENCY APPLICATIONS)

PROJECT REF:	SCALE
CAD File: 16122D1_REVA.DWG	NOT TO SCALE
POLYPIPE DRAWING No. TD/16122/D1	REV
	A

DRAWN BY	IDA	16/05/02
CHECKED		
DIMENSIONS IN MILLIMETRES UNLESS OTHERWISE STATED		

MINIMUM CLEARANCE BETWEEN DUCT AND DRAIN



TYPE B
DEEP DUCTS (over 1200 cover)

- NOTES**
- 1.- All dimensions are nominal and in millimetres.
 - 2.- Details in accordance with the Manual of Contract Documents for Highway Works; 2001 Edition, Highway Construction Detail No I2
 - 3.- Alternatively, ducts shall be laid to limits described in Appendix 5/2, 14/4 or 15/1 of S.H.W.
 - 4.- All the details should be read in conjunction with BBA Certificate No 90/R049
 - 5.- This document is uncontrolled and updates will not be issued automatically

Text Added	26/06/02
CHANGES	